

Stellringe DIN 705, Stahl, Form A, Schlitz

Artikelbeschreibung/Produktabbildungen



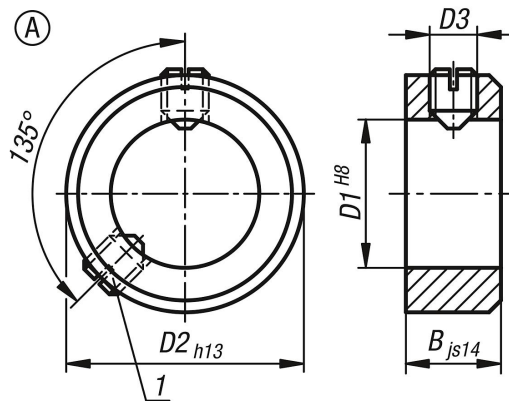
Beschreibung

Werkstoff:
Stahl.

Ausführung:
blank.

Zeichnungshinweis:
1) zweiter Gewindestift ab $D1 \geq 75$

Zeichnungen



Artikelübersicht

| Bestellnummer | Oberfläche Grundkörper | Form | D1 | B | D2 | D3 Gewindestift |
|---------------|------------------------|------|----|----|----|-----------------|
| K0406.100301 | blank | A | 3 | 5 | 7 | M2x3 |
| K0406.100401 | blank | A | 4 | 5 | 8 | M2,5x3 |
| K0406.100501 | blank | A | 5 | 6 | 10 | M3x4 |
| K0406.100601 | blank | A | 6 | 8 | 12 | M4x5 |
| K0406.100701 | blank | A | 7 | 8 | 12 | M4x5 |
| K0406.100801 | blank | A | 8 | 8 | 16 | M4x6 |
| K0406.100901 | blank | A | 9 | 10 | 18 | M5x8 |
| K0406.101001 | blank | A | 10 | 10 | 20 | M5x8 |
| K0406.101101 | blank | A | 11 | 10 | 20 | M5x8 |
| K0406.101201 | blank | A | 12 | 12 | 22 | M6x8 |
| K0406.101401 | blank | A | 14 | 12 | 25 | M6x8 |
| K0406.101501 | blank | A | 15 | 12 | 25 | M6x8 |
| K0406.101601 | blank | A | 16 | 12 | 28 | M6x8 |
| K0406.101801 | blank | A | 18 | 14 | 32 | M6x8 |
| K0406.102001 | blank | A | 20 | 14 | 32 | M6x8 |
| K0406.102401 | blank | A | 24 | 16 | 40 | M8x12 |
| K0406.102501 | blank | A | 25 | 16 | 40 | M8x10 |
| K0406.102601 | blank | A | 26 | 16 | 40 | M8x10 |
| K0406.102801 | blank | A | 28 | 16 | 45 | M8x12 |
| K0406.103001 | blank | A | 30 | 16 | 45 | M8x10 |
| K0406.103201 | blank | A | 32 | 16 | 50 | M8x12 |
| K0406.103501 | blank | A | 35 | 16 | 56 | M8x12 |

Stellringe DIN 705, Stahl, Form A, Schlitz

Artikelübersicht

| Bestellnummer | Oberfläche Grundkörper | Form | D1 | B | D2 | D3 Gewindestift |
|---------------|---------------------------|------|-----|----|-----|--------------------|
| K0406.103601 | blank | A | 36 | 16 | 56 | M8x12 |
| K0406.103801 | blank | A | 38 | 16 | 56 | M8x12 |
| K0406.104001 | blank | A | 40 | 18 | 63 | M10x16 |
| K0406.104201 | blank | A | 42 | 18 | 63 | M10x16 |
| K0406.104501 | blank | A | 45 | 18 | 70 | M10x16 |
| K0406.104801 | blank | A | 48 | 18 | 70 | M10x16 |
| K0406.105001 | blank | A | 50 | 18 | 80 | M10x16 |
| K0406.105201 | blank | A | 52 | 18 | 80 | M10x16 |
| K0406.105501 | blank | A | 55 | 18 | 80 | M10x16 |
| K0406.105601 | blank | A | 56 | 18 | 80 | M10x16 |
| K0406.105801 | blank | A | 58 | 20 | 90 | M10x16 |
| K0406.106001 | blank | A | 60 | 20 | 90 | M10x16 |
| K0406.106301 | blank | A | 63 | 20 | 90 | M10x16 |
| K0406.106501 | blank | A | 65 | 20 | 100 | M10x20 |
| K0406.106801 | blank | A | 68 | 20 | 100 | M10x20 |
| K0406.107001 | blank | A | 70 | 20 | 100 | M10x20 |
| K0406.107201 | blank | A | 72 | 20 | 100 | M10x20 |
| K0406.107501 | blank | A | 75 | 22 | 110 | M12x20 |
| K0406.108001 | blank | A | 80 | 22 | 110 | M12x20 |
| K0406.108501 | blank | A | 85 | 22 | 125 | M12x25 |
| K0406.109001 | blank | A | 90 | 22 | 125 | M12x20 |
| K0406.110001 | blank | A | 100 | 25 | 140 | M12x25 |